

Extract

The invention relates to a device over a single or double bed is placed with the main purpose of the skin of a human body to caress or light massage using one in the closet standing horizontal rail and a poor run in the longitudinal direction body containing a trolley along the full length move and driven by a stepper motor.

In the cart is by a stepper motor driven pulley bearing nylon or low-voltage wire wrapped, released on the length of which moves through the underside of the arm standing slot and up and unrolled can be at the end of the thread linking them with various accessories which include brushes, brushes, smooth or frictional materials, vibrant accessories or warmth (infrared), etc., can be linked.

The rolling up and down is controlled by two remote sensors that are necessary because if the attachment by unexpected movement by the radius of a sensor is, the tool accidentally goes up, the other sensor takes over where the distance from the body determines continues.

The control is operated by a wire or wireless control unit, along the body with the hand preset programs can be set and / or can go to manual contained therein with a trackball.

Caress / massager for over a bed

The invention relates to a device over a single or double bed is placed with the main purpose of the skin of a human body to caress or light massage. By this device man can relax in a pleasant way and partly by the production of endorphins in the body, feel comfortable.

Such a device is at the opening of the 2003 Exhibition Supermarket Mediametic-3, demonstrated under the name Tickle Salon and published on the Internet at www.mediametic.net. This device is in the middle of the ceiling to the ceiling with four diagonal points (about 3 meters apart) with nylon threads running through it, like a pyramid on its head come together at a round ball above the bed, which middle of the room is with a brush over it to caress the body. These four wires with the ball of it, on or unwinding with stepper motors in the device on the ceiling and are governed by four sensors. The whole is connected to a computer that coordinates the body records and the facility operated.

Unlike device described Mediametic of the invention, which in terms of control and construction is different, high at the headboard of a bed to the wall containing a horizontal rail and a moving arm using a stepper motor. In the arm over the length of the body is a trolley runs up and down movement by a stepper motor.

In the cart is a nylon pulley bearing or low-voltage wire wound on and can be rolled by a stepper motor. The arm is a slot along the full length allowing the wire to move freely.

At the end of the thread is a link which various accessories can be attached to them such as brushes, brushes, smooth or frictional materials, vibrant accessories or warmth (infrared), which targeted a lamp emits light when reading a book (so that the partner has less light load), a tool with a laser beam to a position on the body to identify or capture. There are several options to consider in an attachment process. Confirmed the attachment slowly follows the shape of the body through the arm and moving the moving trolley with this attached thereto two distance sensors whose radius is the distance measured through the slot of the arm body scans and the pulley height controls.

Two remote sensors because if the attachment by unexpected movement by the radius of a sensor is, the tool accidentally goes up, the other sensor takes over where the distance from the body remains decisive.

The device is controlled by a control device that wirelessly communicates with the operating system in the cabinet containing a trackball and buttons along the body with hand operated. This allows applications to set or switch to manual steering.

When using programs is the first tool placed in the starting position for example nose, belly navel, coccyx. For foot and leg treatment which one sits up or head lies at the foot, the big toe serve as a starting position.

Because of the wide variety of accessories to make the device can also be used for various therapies. With an interface between the controller of the device and a computer with appropriate software, any position of the skin of the body, abdominal or supine position, documented and again retrieved and identified with a laser device into the adapter to a point displays on the body .

Also, an overall picture of the body, back or abdomen horizontally, by rendering in 3D format capture. This allows the 3 D image of a person using the computer control of the tool to take over as the software using the 3 D image coordinates translated to the right of the stepper motors. This allows the sensors off. These additional features, position capture and create a 3D image could be used in the medical world.

To the arm, depending on the design strength of the arm, a separate attachment hung with such a platform so that it is possible to a book, magazine, laptop etc. sitting up in bed to read or use.

The invention will be put in greater detail using an embodiment shown in the figures of the construction of the invention.

Fig. 1 shows a front view of the device.

Fig. 2 shows a side view of the device.

Fig. 3 and 4 shows a detail of the device shown in figure 1 and 2.

Fig. 1 and 2 shows a device with a box containing a rail on which a 2 arm 3 by means of a stepper motor 4 can be moved in the Y direction.

3 is in the arm by a stepper motor driven trolley 4 5 6 Fig 3s that can move in the X direction. In the carriage 6 is a step motor 7 driven pulley 8 that a nylon-or low-voltage wire 9 is wrapped on and off can be rolled in the Z direction and free to move in a groove 12 on the full length of arm 3 . This is controlled by two remote sensors 10 and 11 the body 13 lying on the bed 18 by program or hand control to control device 14 fig.1 the shape of the body 13 scans and with this distance determines between attachment 15 Figures 1 and 2 by a link 16 is attached to the wire 9 so that the skin of the body 13 through the fitting 15 is constantly hit.

There are two distance sensors 10 and 11 necessary because if by unexpected movements of fitting 15, the radius of sensor 10 is, the attachment 15 unintentionally increases, sensor 11 takes over and determines the distance between the attachment 15 and the body 13 or vice versa . To the arm 3 can be hung or mounted additional attachments such Fig. 2 and 4, attachment 17, which among others can serve as a bookend or laptop use.

CONCLUSIONS

1. Inrichting over a bed to a human body to caress or light massage using a tool that makes three-dimensional movements in the X, Y, Z direction, an arm on a rail in a box moves horizontally by a stepping motor in Y direction and in the arm a trolley by a stepper motor on the length moves the body in the X direction, the carriage by a stepper motor driven pulley which nylon-or low-voltage wire is wrapped and on and rolled to be in the Z direction and a slit under the arm full length free to move in under the wire a shortcut that accessories can be linked.

2. Inrichting according to claim 1 characterized in that the distance between the attachment and the skin of the human body and the contact of this is controlled by two remote sensors in the trolley attached to the longitudinal direction of the arm a distance sensor for pulley and a remote sensor behind the pulley so that when the attachment into the path of a sensor is, the other sensor takes over and the shape of the body scans and the differences in distance from the stepper motor of the pulley, the wire makes up or unroll making the attachment the shape of the body and the body follows the same pressure becomes constant.

3. Inrichting according to claim 1 and 2, characterized in that the movements of the tool through an operating system in the cabinet is controlled by a wired or wireless control unit by hand along the body, built-in programs can be set and / or may be in hand with the machine standing Trackball with use of the fingers, the attachment does move in the X or Y direction.

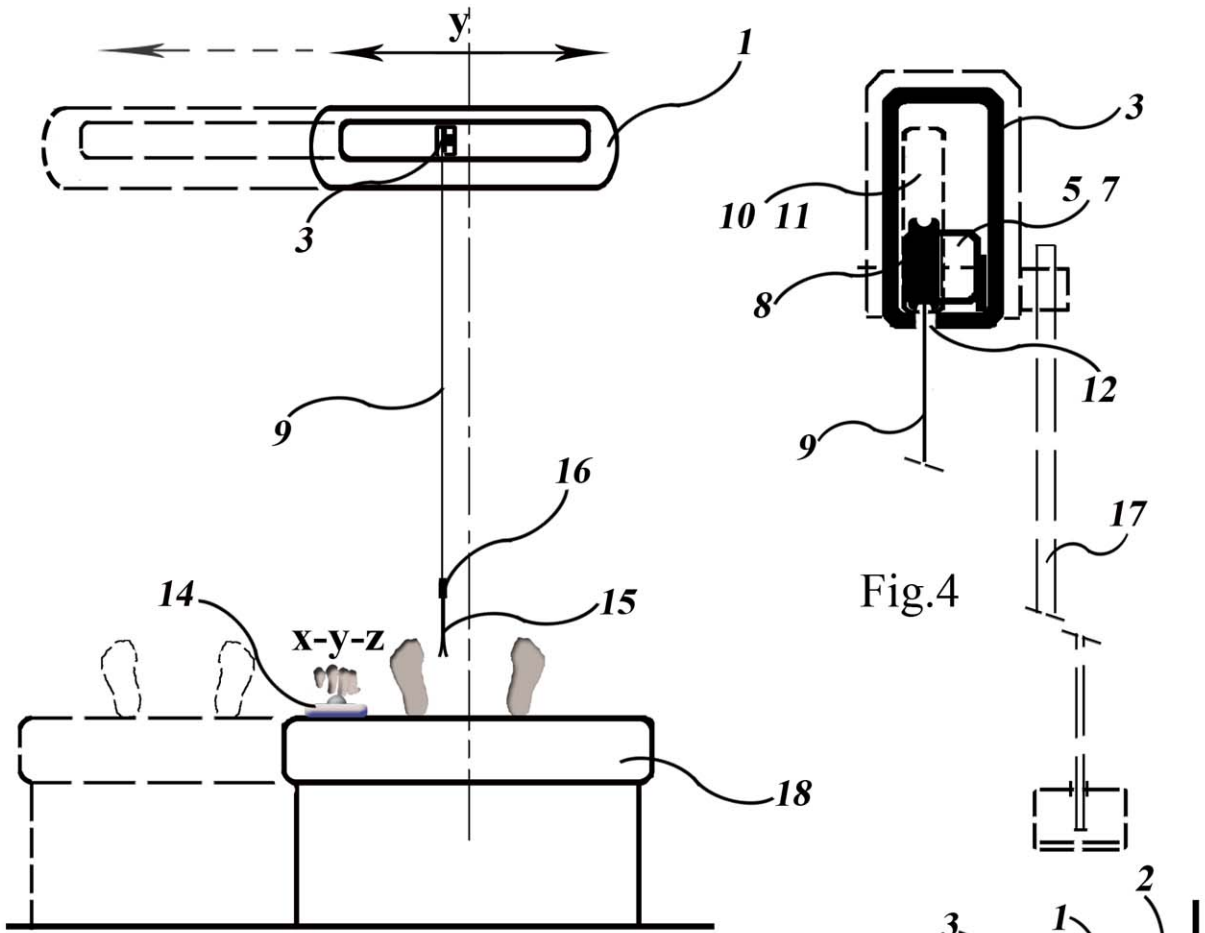


Fig. 1

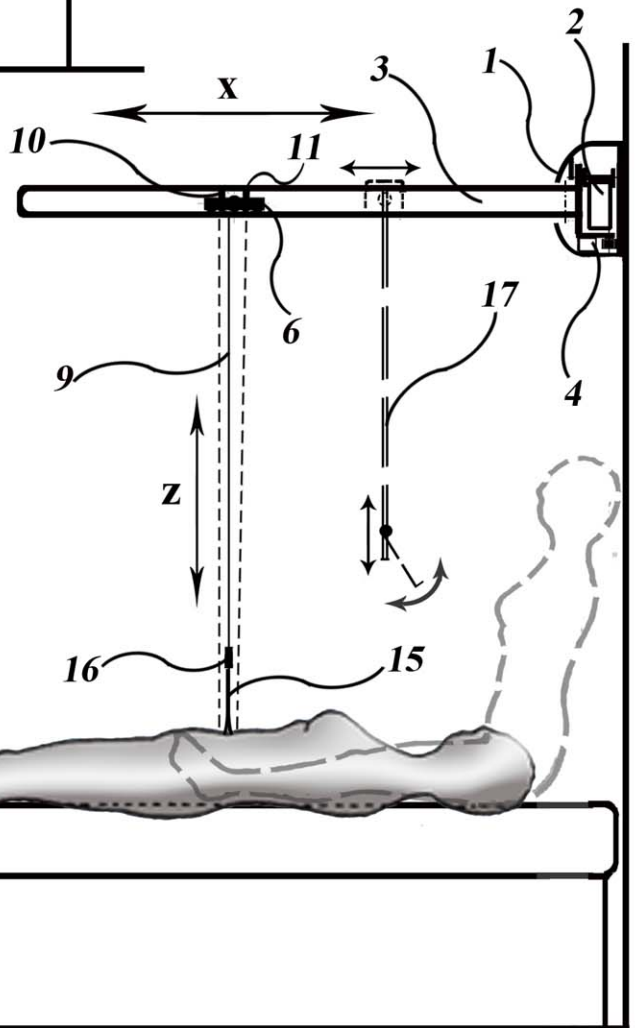
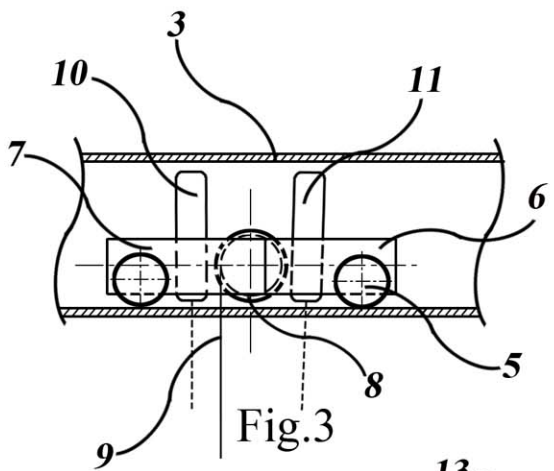


Fig. 2

Streel/massage apparaat verwerkt in een zonnehemel

